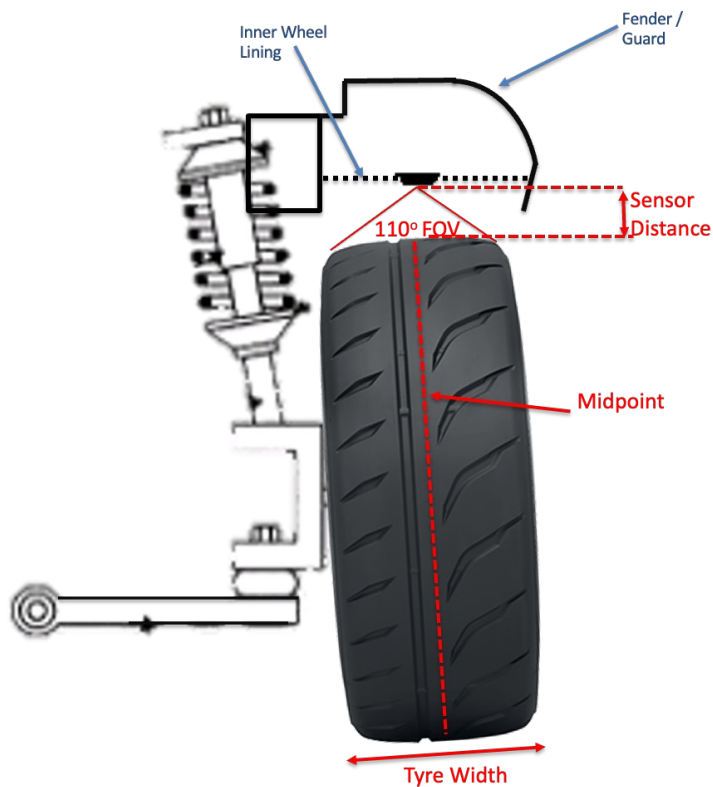


WHEEL TURTLE

TYRE TEMPERATURE SYSTEM

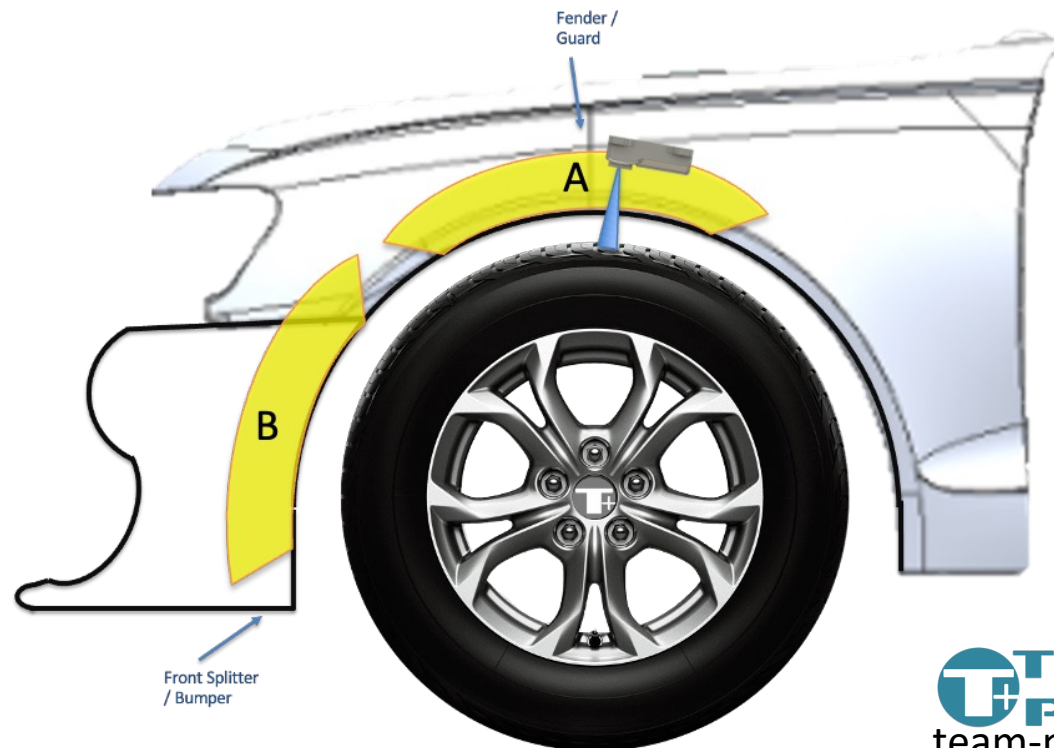
Ideal Sensor Distance =
Tyre Width * 0.34

Example: 295mm tyre =
~87mm sensor distance



FRONT WHEEL TURTLE LOCATION

1. Calculate distance needed based on tyre width
2. Mount Wheel Turtle in the wheel arch:
 - Preference is top of wheel arch to minimise wheel turn impact (zone A)
 - Alternate is front of wheel arch to capture hottest edge on wheel turn (zone B)
 - Mounting at rear of wheel arch is not recommended as will only see coldest edge on turn and more exposed to debris/damage
 - Mounting on other side of inner wheel lining with hole for sensor head can add extra protection and distance when needed



WHEEL TURTLE

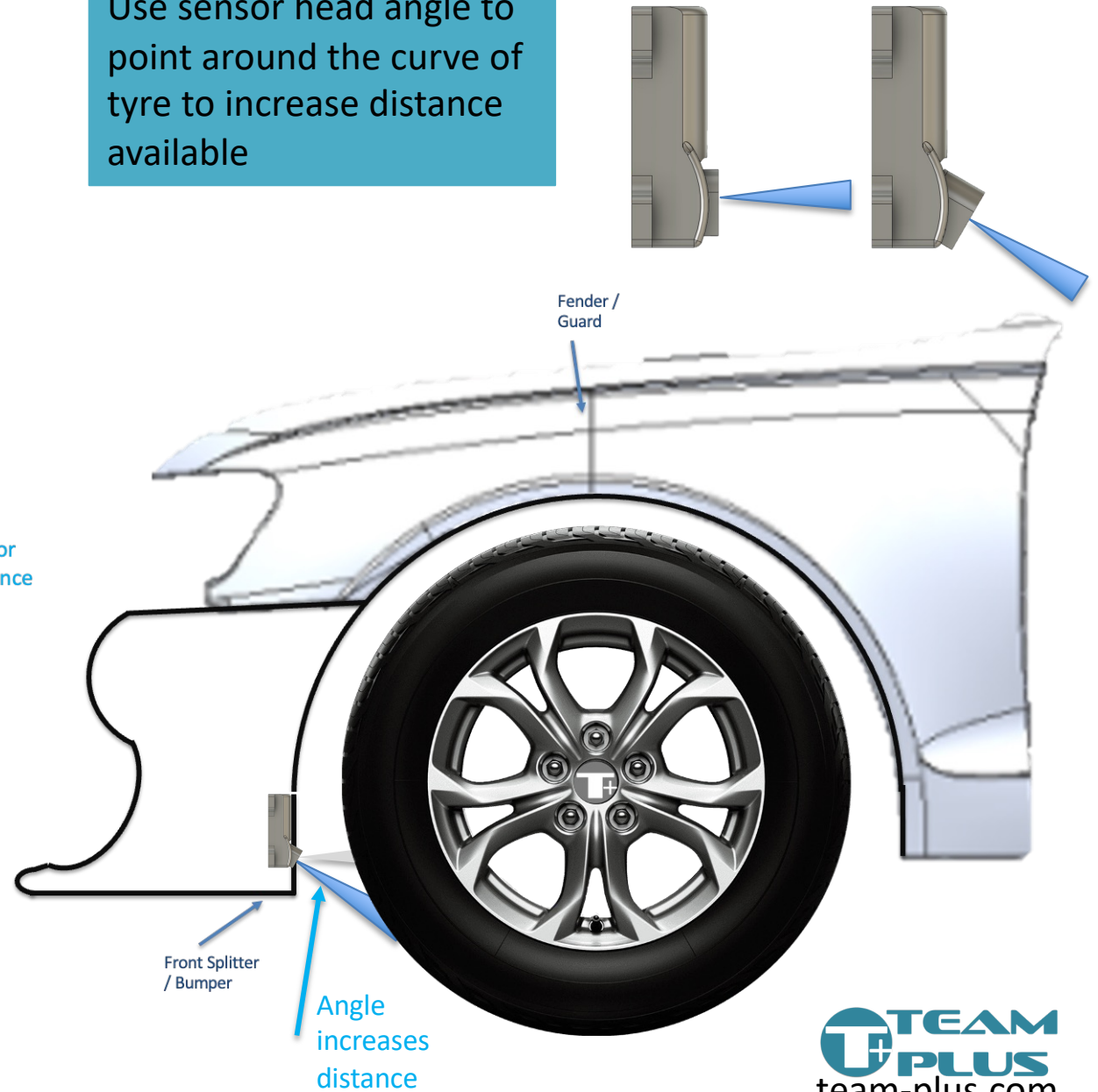
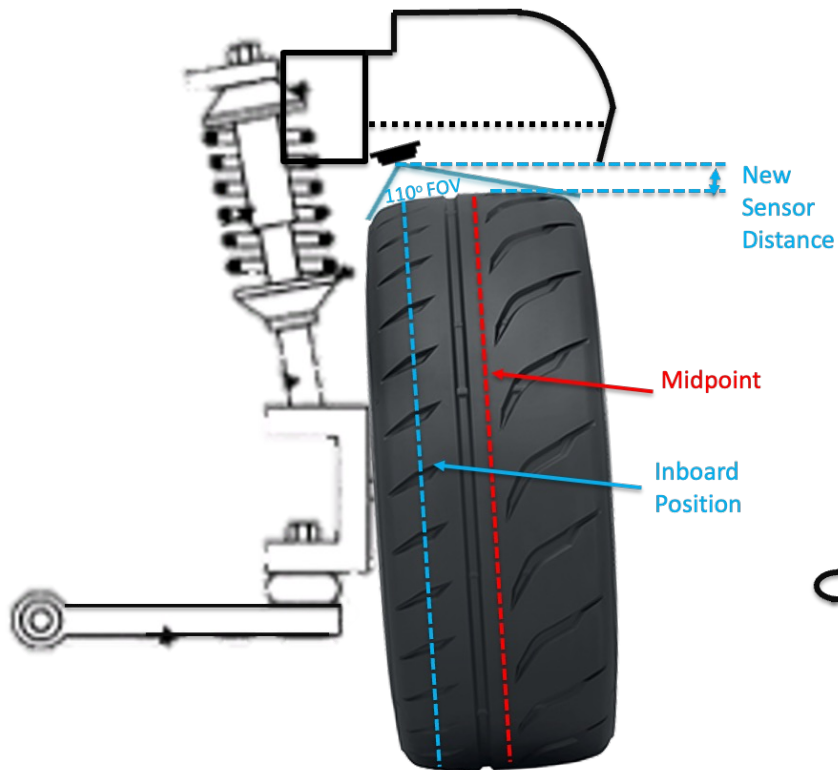
TYRE TEMPERATURE SYSTEM

FRONT WHEEL TURTLE LOCATION

TIPS FOR LIMITED SPACE

Mount further inboard and angle across the face significantly reduces distance from tyre needed

Use sensor head angle to point around the curve of tyre to increase distance available



WHEEL TURTLE

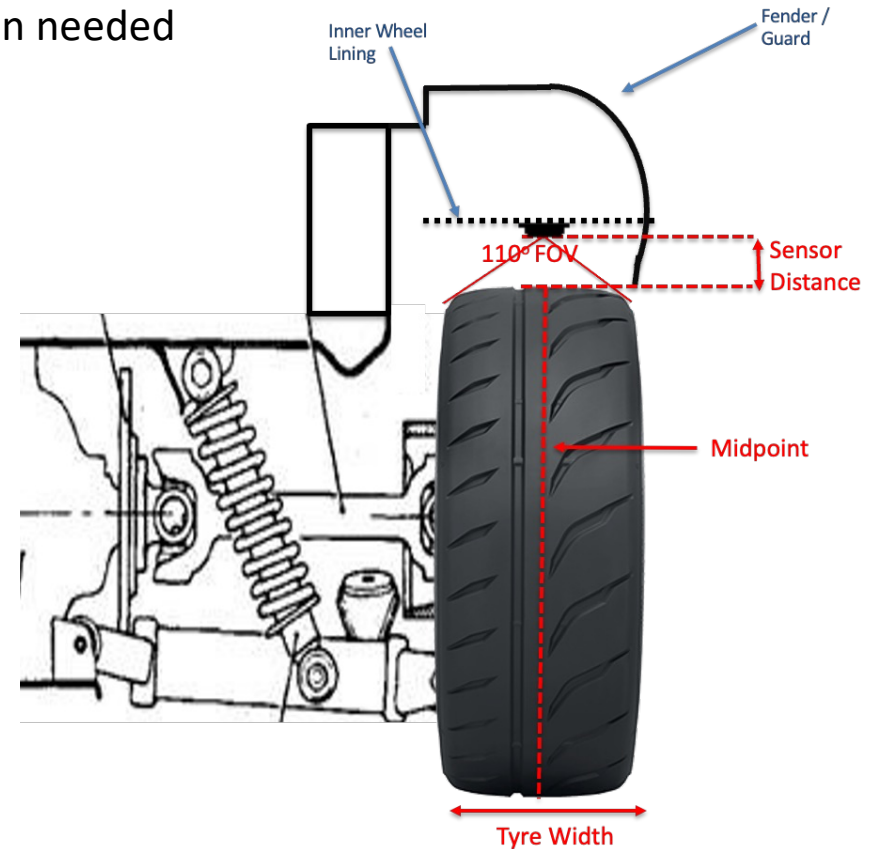
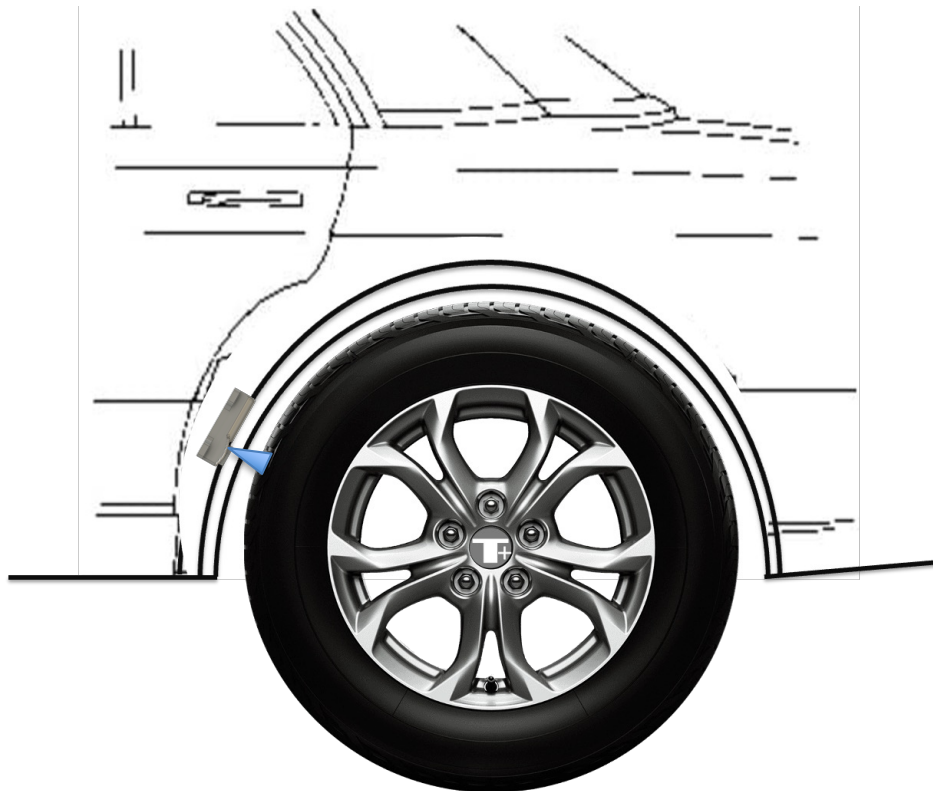
TYRE TEMPERATURE SYSTEM

Ideal Sensor Distance =
Tyre Width * 0.34

Example: 295mm tyre =
~87mm sensor distance

REAR WHEEL TURTLE LOCATION

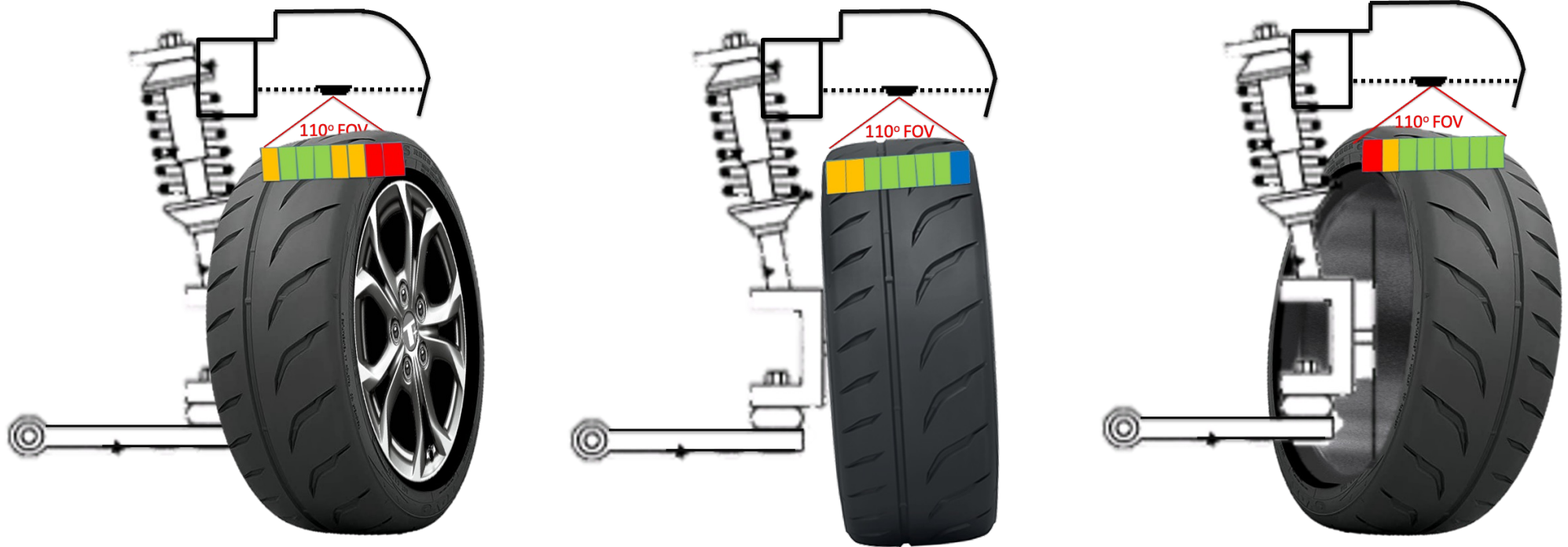
1. Calculate distance needed based on tyre width
2. Mount Wheel Turtle in the wheel arch:
 - Beware of potentially damaging debris if mounted at rear of wheel arch.
 - Align to midpoint of tyre
 - Mounting on other side of inner wheel lining with hole for sensor head can add extra protection and distance when needed



WHEEL TURTLE

TYRE TEMPERATURE SYSTEM

FRONT WHEEL TURN IMPACT – TOP MOUNT

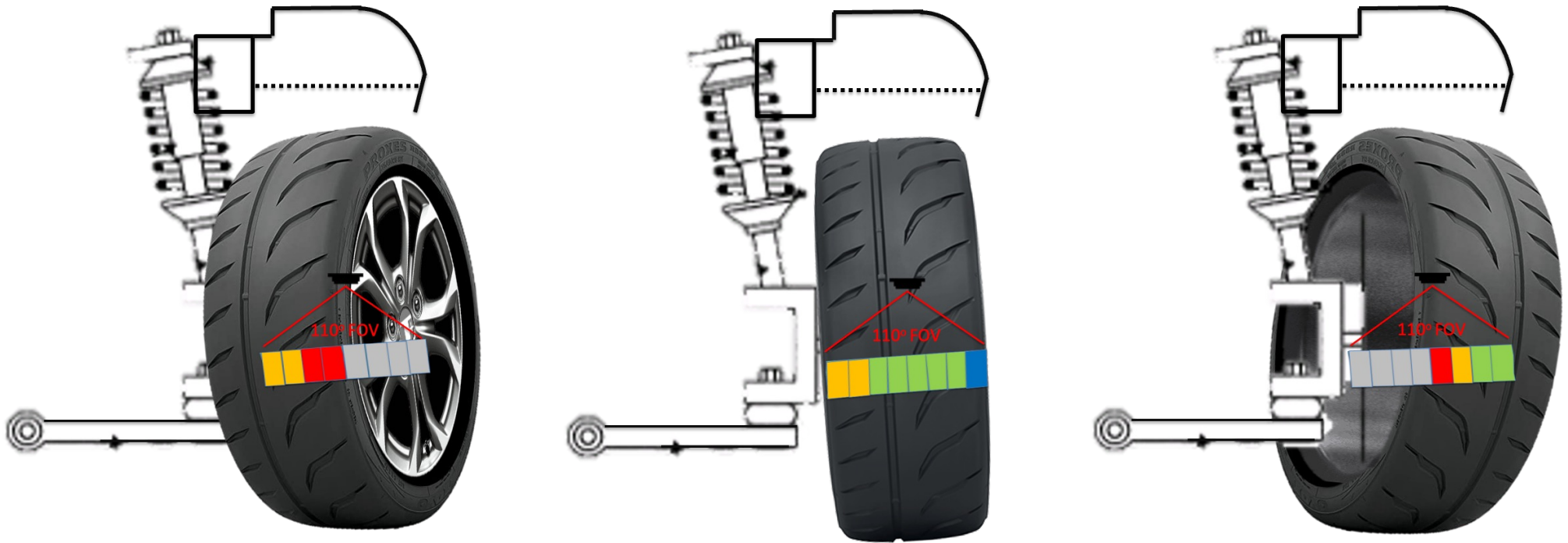


Top Mount Wheel Turtle will capture full width across range of turn.

WHEEL TURTLE

TYRE TEMPERATURE SYSTEM

FRONT WHEEL TURN IMPACT – FRONT MOUNT



Front Mount Wheel Turtle will capture hottest edge during turn and miss some areas.